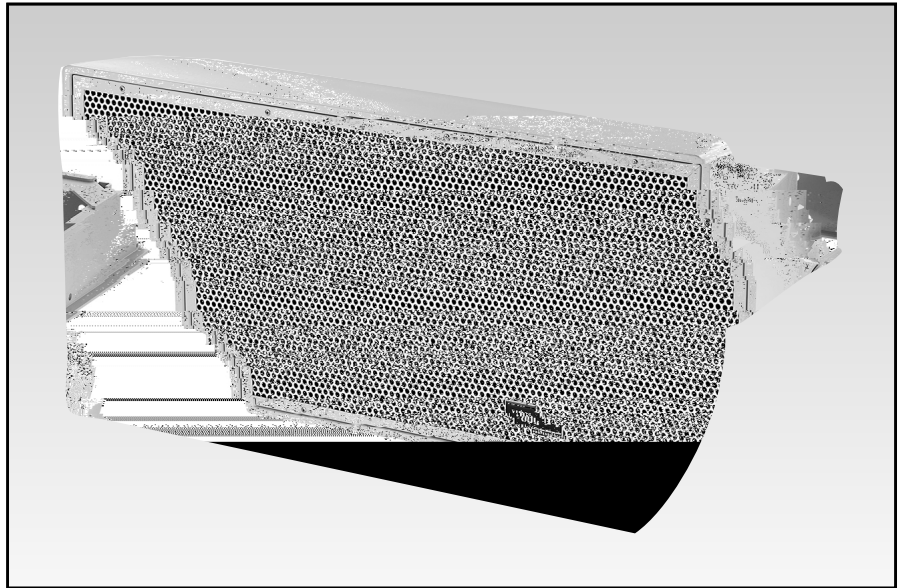


AW266-LS High Power 2-Way All Weather Loudspeaker with 1 x 12" LF

Professional Series

Key Features:

- ▶ Weather-Resistant, All Fiberglass Enclosure
- ▶ EN54-24 Compliant
- ▶ 60° x 60° Coverage
- ▶ 2262H Differential Drive® Low-Frequency Driver
- ▶ 2432H High Frequency Compression Driver
- ▶ Large PT™ Progressive Transition waveguide for excellent pattern control and low distortion
- ▶ Available in Gray and Black finish
- ▶ 400 W, 70/100V Transformer Included
- ▶ U-type Mounting Bracket Included



Applications:

- ▶ Sports Facilities
- ▶ Themed Entertainment Venues
- ▶ Outdoor Entertainment Centers
- ▶ Cruise Ships
- ▶ Water Parks

The AW266-LS is a high power, lightweight, 2-way, full-range loudspeaker system comprised of the JBL Differential Drive dual voice coil and dual magnetic gap 2262H 300 mm (12 in) low-frequency driver and 2432H high-frequency 38 mm (1.5 in) exit, 75 mm (3 in) voice-coil compression driver. The large format Progressive Transition wave-guide provides excellent 60° x 60° coverage. The loudspeaker system can be used in either the vertical or horizontal orientation.

The enclosure is constructed of multilayer glass composite and is heavily braced to maximize low-frequency performance. The 16-gauge stainless steel grille, backed with open cell foam and stainless steel mesh, provides excellent protection in the harshest environments. The system can be operated as an 8-ohm device and is equipped with a 400W transformer for 70/100V applications.

A corrosion-resistant extra-thick zinc-plated polyester powder coated U-type mounting bracket is included.

Coverage Pattern:	60° x 60° waveguide			
Coverage Angle:	500 Hz	1000 Hz	2000 Hz	4000 Hz
Horizontal:	141°	54°	75°	59°
Vertical:	93°	63°	51°	35°
Directivity Factor (Q):	15.8			
Directivity Index (DI):	12 dB			
Crossover Frequency:	1.1 kHz			
Long-Term System Power Rating (IEC):	400 W (1600 W peak) 100 hrs			
Maximum SPL:	125 dB SPL (131 dB peak)			
Maximum SPL (@ 4m):	112.45 dB			
System Sensitivity (1W @ 1m):	98 dB			
Sensitivity (1W @ 4m):	87.16 dB SPL			
70V / 100V Transformer Taps:	70V: 400 W, 200 W, 100W 100V: 400W, 200W			

Technical Data:

Low Frequency Driver:	1 x JBL 2262H 300 mm (12 in) Differential Drive® driver with 75 mm (3 in) dual voice coil
Nominal Impedance:	8 ohms
Sensitivity ³ (1W @ 1m, within operational band):	96 dB SPL
High Frequency Driver:	JBL 2432H, 38 mm (1.5 in) exit compression driver, 75 mm (3 in) voice coil
Nominal Impedance:	8 ohms
Sensitivity ⁴ (1W @ 1m):	113 dB SPL
Waveguide:	PT-H66HF-1

Physical:

Enclosure:	Hand-Laminated Fiberglass, gray gelcoat (similar to Pantone 420C), available in black (-BK)
Suspension Attachment:	2 x M10 for Included U-Bracket, 2 x M6 for aiming stabilization, 1 x M10 on rear for safety.
Grille:	Three layer grille assemblies consisting of 16-gauge powder coated stainless steel, backed with open cell foam and stainless steel mesh.
Input Connector:	CE-compliant covered barrier strip terminals. Barrier terminals accept up to 5.2 sq mm (10 AWG) wire or max width 9 mm (.375 in) spade lugs.
Environmental Specifications:	IP55C per IEC 529
Dimensions (H x W x D in horizontal cabinet orientation):	409 x 732 x 452 mm (16.1 x 28.8 x 17.8 in)
Net Weight:	25.2 kg (55.5 lb)

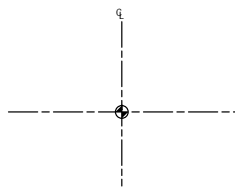
¹IEC standard, full bandwidth pink noise with 6 dB crest factor, 100 hours.

²Calculated based on power rating and sensitivity, exclusive of power compression.

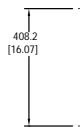
³Anechoic sensitivity in free field, no additional sensitivity gain from boundary loading.

⁴Per EN54-24 Components of voice alarm system - loudspeakers:70V/400W (35V RMS, 70V peak), 100V/400W (50V RMS, 100V peak).

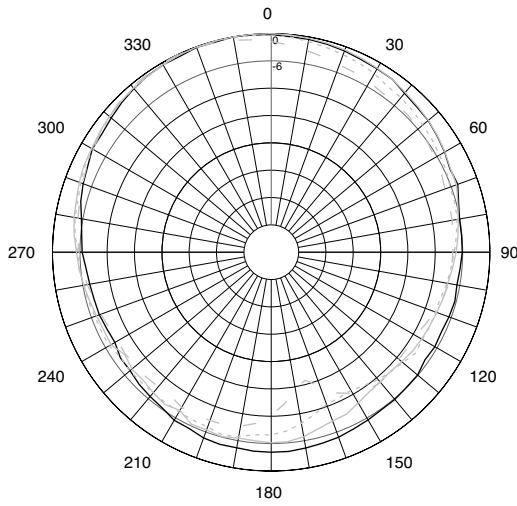
JBL continually engages in research related to product improvement. Changes introduced into existing products without notice are an expression of that philosophy.



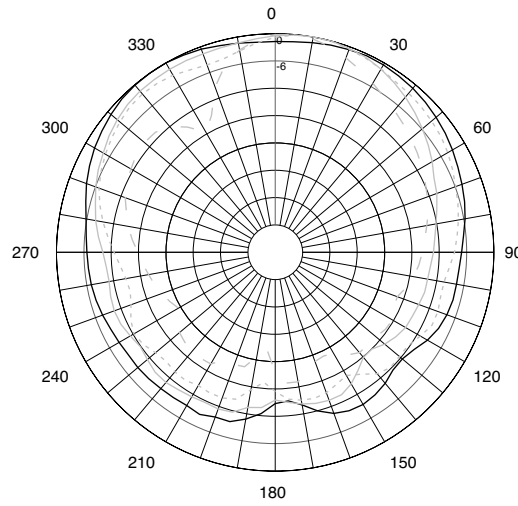
) (



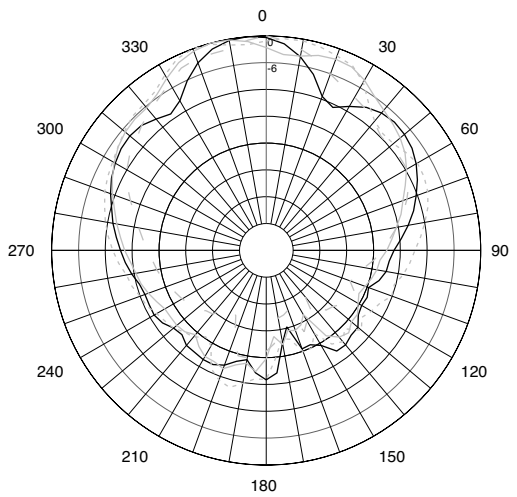
Н т а 1/3 О α а е Р а



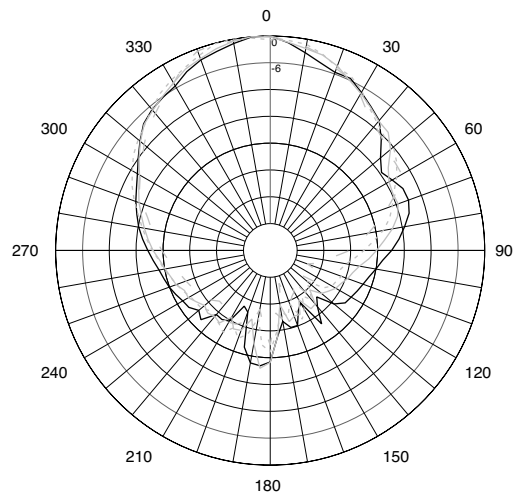
— 200 H
— 250 H
- - - 315 H
- - - 400 H



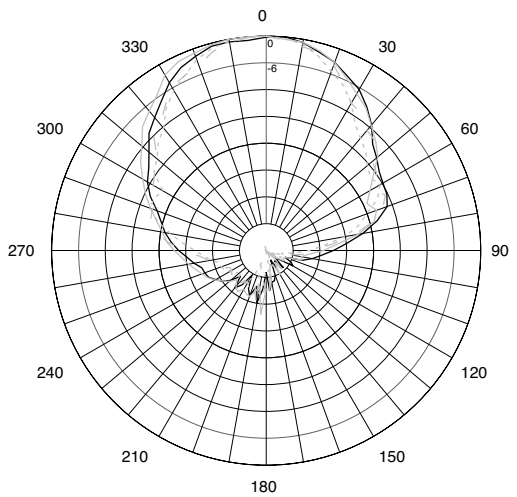
— 500 H
— 630 H
- - - 800 H
- - - 1 kH



— 1.25 kH
— 1.6 kH
- - - 2 kH
- - - 2.5 kH



— 3.15 kH
— 4 kH
- - - 5 kH
- - - 6.3 kH



— 8 kH
— 10 kH
- - - 12.5 kH
- - - 16 kH

► AW266-LS High Power 2-Way All Weather Loudspeaker with 1 x 12" LF

Vertical 1/3 Octave

